

NOTES:

- (1) Empty Weight = 62000 lb / 28123 Kg (W/ Steel Balast and Calcium Filled Wheels)
- (2) Box Struck Volume = 132.5 ft³ / 3.75 m³
- (3) Loaded Weight = 110000 lb / 50000 Kg
- (4) Loaded Hitch Weight = 7000 lb / 3175 Kg
- (4) Ballast Req'd: 120ft³ @ 100 lb/ft³ per box / 3.4 m³ @ 1600 Kg/m³ per box
- (5) Maximum Operating Speed = 5Km/h
- (6) Tire Space/ Trie Track = 49%

PROPRIETARY AND CONFIDENTIAL
 THE INFORMATION CONTAINED IN THIS DRAWING
 IS THE SOLE PROPERTY OF WRT EQUIPMENT
 LTD. ANY REPRODUCTION IN PART OR AS A
 WHOLE WITHOUT THE WRITTEN PERMISSION OF
 WRT EQUIPMENT LTD. IS PROHIBITED.



WRT
 EQUIPMENT
 LTD.

TITLE: PT50LB, Load Box Packer, 4
 Independent Wheel, Version 2

UNLESS OTHERWISE SPECIFIED:
 DIMENSIONS ARE IN INCHES
 TOLERANCES:
 FRACTIONAL: ± 1/16" ANGULAR: ± 1/2°
 DO NOT SCALE DRAWING

DRAWN	TJR	Aug 2020
CHECKED	--	---
ENG APPR.	--	---

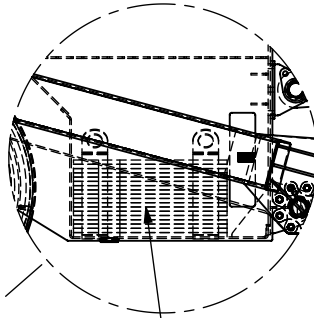
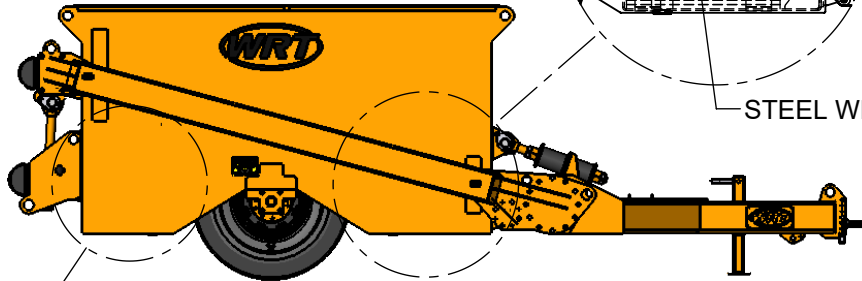
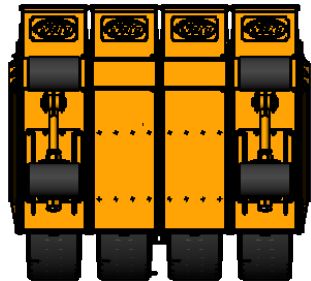
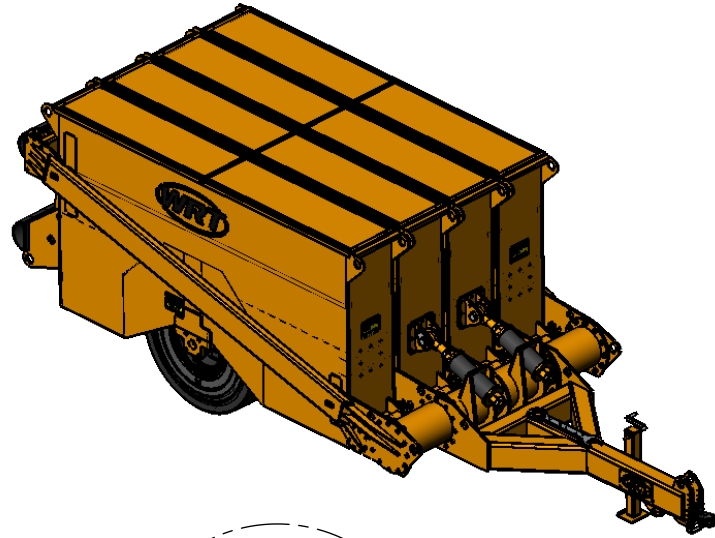
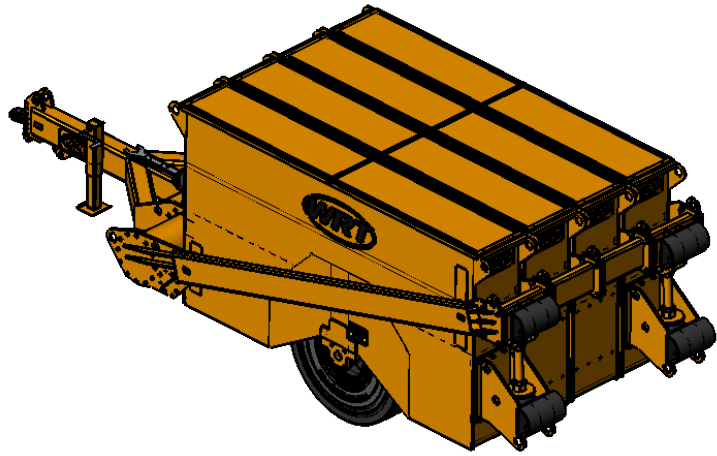
SIZE	DWG. NO.	PROCESS	REV
A	9503432GA	MA	7

MATERIAL:

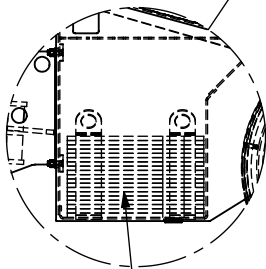
SCALE: 1:60

SHEET 1 OF 2

NO.	DATE	REVISION	CHKD
-----	------	----------	------



STEEL WEIGHTS



STEEL WEIGHTS

PROPRIETARY AND CONFIDENTIAL
 THE INFORMATION CONTAINED IN THIS DRAWING
 IS THE SOLE PROPERTY OF WRT EQUIPMENT
 LTD. ANY REPRODUCTION IN PART OR AS A
 WHOLE WITHOUT THE WRITTEN PERMISSION OF
 WRT EQUIPMENT LTD. IS PROHIBITED.

UNLESS OTHERWISE SPECIFIED:
 DIMENSIONS ARE IN INCHES
 TOLERANCES:
 FRACTIONAL: $\pm 1/16"$ ANGULAR: $\pm 1/2^\circ$
DO NOT SCALE DRAWING



WRT
 EQUIPMENT
 LTD.

TITLE: PT50LB, Load Box Packer, 4 Independent Wheel, Version 2

DRAWN	TJR	Aug 2020
CHECKED	--	--
ENG APPR.	--	--

MATERIAL:

SIZE	DWG. NO.	PROCESS	REV
A	9503432GA	MA	7

WEIGHT: 60173

SCALE: 1:75

SHEET 2 OF 2